

EMWS-661B/662B/663B/664B Wall Mount Speaker System



EMIX Box Speakers offer a combination of quality, performance and innovation in public address. It is designed for situation where both high quality speech and music reproduction typically is fixed-installed in conference rooms, community centers, F&B outlets and multipurpose halls.

EMIX 2 way full range speakers deliver professional performance from a compact robust enclosure. They are developed to meet the increasing demands for high quality background music reproduction in indoor applications.

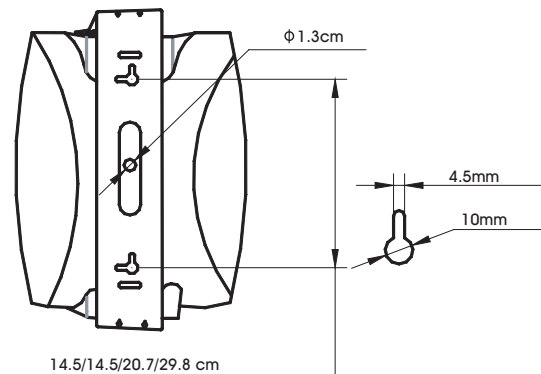
Features

- > Supplied with wall mounting bracket for horizontal and vertical adjustment.
- > Simple power setting with vari-tap switch for 8ohms and 100V line input.
- > Made of high quality engineering plastic, long term durability, never out of shape and colour never fade.
- > With high sensitivity speakers for long life, clear and sonorous sound.

Installation Diagram



Hanging Hole



Model	EMWS-661B	EMWS-662B	EMWS-663B	EMWS-664B
Driver Components	4" x 1"	5.25" x 1"	6.5" x 1"	8" x 3"
Rated Power	10W	20W	30W	50W
Max Power	20W	30W	45W	100W
Tapping Wattage	10W-5W-3W-OFF-8Ω	20W-10W-5W-OFF-8Ω	30W-15W-8W-OFF-8Ω	50W-25W-13W-OFF-8Ω
Line Voltage / Rated Impedance	70-100V / 8Ω	70-100V / 8Ω	70-100V / 8Ω	70-100V / 8Ω
Sensitivity (1m, 1W)	90dB	90dB	91dB	91dB
Freq. Response	100-20,000Hz	90-20,000Hz	70-20,000Hz	55-20,000Hz
Color	Black	Black	Black	Black
Dimensions	180 x 170 x 150mm	200 x 185 x 170mm	330 x 210 x 195mm	442 x 255 x 276mm
Weight	2.8kg	3.4kg	4.2kg	8.4kg

*Specifications and design are subjected to change without notice for improvements.